

# HIGH CAPACITY SANITIZER

Reliable, flexible  
and affordable disinfection

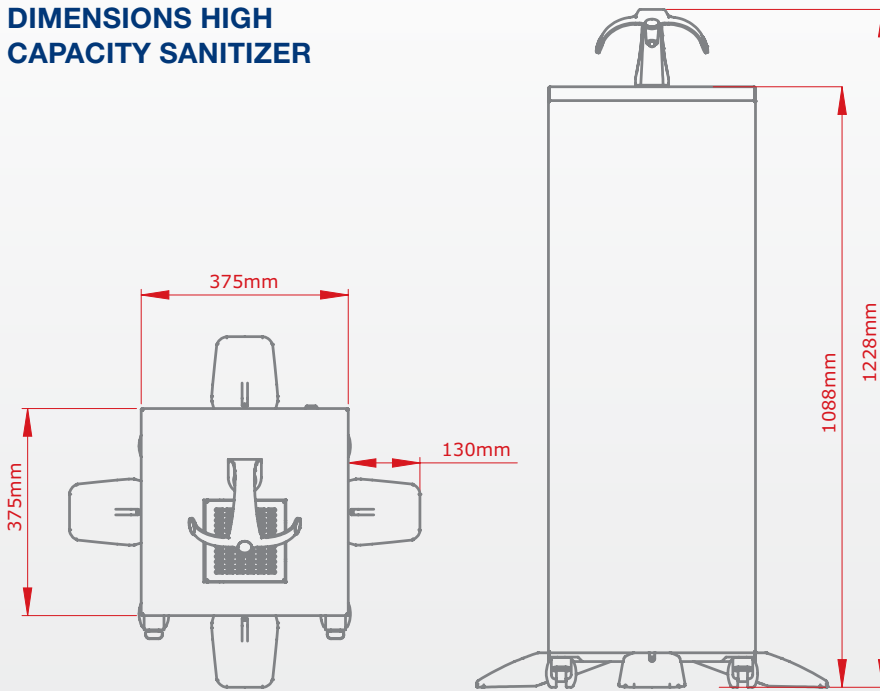


- **Up to 20 liter capacity**  
means less frequent refills
- **Battery or 230V operated**  
up to 7500 doses of 1.5 ml  
with 4 (ultra) AA batteries
- **Affordable operation**  
disinfection fluids available  
for less than € 2 per liter
- **Touch-free dispense**  
sensor controlled tap
- **Safety HALO**  
prevents users from accidentally drinking
- **Mobile usage**  
4 castors for flexible re-location
- **Stainless steel top**  
stainless steel body
- **Drain**  
up to 10 liters of 'waste' fluid
- **Adjustable dispense doses**  
range of 1.5 – 6.0 ml
- **Stabilizers to fulfil EU safety regulations**  
EN-62368-1 compliant
- **Customizable**  
colour, graphics and branding
- **Produced in The Netherlands**



€ 999,- ex VAT

## DIMENSIONS HIGH CAPACITY SANITIZER



### CUSTOMIZING & BRANDING PACKAGE 1



Sticker 225 x 225 mm with logo on 4 sides.

**Price on request**

### CUSTOMIZING & BRANDING PACKAGE 2



Sticker 350 x 975 mm with your own branding on 1 side and sticker 225 x 225 mm with logo on 3 sides.

**Price on request**

### CUSTOMIZING & BRANDING PACKAGE 3



Full wrap of the sanitizer in your own branding.

**Price on request**